

Level Measurement

Continuous level measurement
Controllers

Ives Equipment
610-768-1600
www.ivesequipment.com

SITRANS LT500**Overview**

SITRANS LT500 is a versatile, single and multi-vessel level monitor/controller for virtually any application in a wide range of industries.

Benefits

- Easy to use HMI display with local four-button programming, menu-driven parameters, and Wizard support for key applications.
- English, German, French, Spanish, Chinese, Italian, Portuguese, Japanese, Danish, Dutch, Swedish, Finnish, Polish, and Russian texts on the HMI.
- Removable terminal blocks for ease of wiring.
- Digital input for back-up level override from point level device.
- Communication options for HART, Modbus RTU, PROFIBUS PA, PROFIBUS DP and ProfiNet.
- Single or dual point level monitoring.
- Auto False-Echo Suppression for fixed obstruction avoidance.
- Up to 6 independent programmable relays for pump control, alarms, or remote totalization.
- Level, volume, and flow measurements in open channels, differential control, extended pump control, and alarm functions.
- Wall and panel mounting options.
- Remote configuration via EDD with SIMATIC PDM or SITRANS DTM

Application

SITRANS LT500 can be used with SITRANS LR110, LR120, Probe LU240 or any level device generating a mA signal. SITRANS LT500 offers true dual point monitoring and digital communications. SITRANS LT500 is low maintenance and economical. With its advanced control functions, it can operate pumps during lower cost time periods and manage pump rosters for efficiency.

SITRANS LT500 will monitor open channel flow and features advanced relay alarming and pump control functions as well as volume conversion.

- Key Applications: wet wells, flumes/weirs, bar screen control, hoppers, chemical storage, liquid storage, crusher bins, dry solids storage

Design

SITRANS LT500 is available in wall or panel mounting options.

Technical specifications

Sensor input		Rated operating conditions	
Number of inputs	1 or 2	Installation conditions	
Terminal voltage	Max. 26 V, Min. 18 V (0 ... 22.6 mA)	• Location	Indoor/outdoor
Wiring	2 conductor, twisted, shielded, 0.5 ... 0.75 mm ² (22 ... 18 AWG)	• Installation category	II
Max. cable length	500 m (1 640.42 ft)	• Pollution degree	4
Sensor input communication	<ul style="list-style-type: none"> • 4 ... 20 mA • HART protocol, for supported sensors: SITRANS LR110, LR120, SITRANS Probe LU240 	Ambient conditions	
4 ... 20 mA sensor input		• Ambient temperature	-20 ... +50 °C (-4 ... +122 °F)
• Resolution	0.025 % of full scale	• Storage temperature	-20 ... +50 °C (-4 ... +122 °F)
• Accuracy	0.1 % of full scale	Design	
HART sensor input	Resolution and accuracy are dependent on connected sensor	Weight	
Digital input		• Wall mount	1.22 kg (2.68 lb)
Quantity	2	• Panel mount	1.35 kg (2.97 lb)
Switching threshold, low	0 ... 0.5 V DC	Enclosure	
Switching threshold, high	10 ... 50 V DC	• Material	Polycarbonate
Input current	Max. 3 mA	• Degree of protection	
Bias voltage	24 V	- Wall mount	IP65/Type 4X
Analog output		- Panel mount	IP54/Type 3
Quantity	2	Display and control	
Range	0 ... 20 mA or 4 ... 20 mA	LCD display	60 x 40 mm (2.36 x 1.57 inch) LCD, 240 x 160 pixels resolution
• Max. load	750 Ω	Menu navigation	4 push button keys
• Resolution	0.1 % of range	Memory card	8 GB Industrial micro SD
Accuracy	±20 μA	Power supply	
Wiring	2 conductor, twisted, shielded, 0.5 ... 0.75 mm ² (22 ... 18 AWG)	AC version	100 ... 230 V AC, ±15 %, 50/60 Hz, 36 VA (17 W)
Relay output		DC version	12 ... 30 V DC (20 W)
Quantity	Up to 6, 4 form A and 2 form C	Certificates and approvals	<ul style="list-style-type: none"> • CE, RCM • FM, cCSA_{US}, cUL_{US}
Rating	5 A at 250 V AC, non-inductive	Communication	
		Service interface	USB 2.0 mini A cable
		Optional Fieldbus	<ul style="list-style-type: none"> • HART, with Active/Passive 4 ... 20 mA • Modbus RTU • PROFIBUS PA • PROFIBUS DP • ProfiNet

Level Measurement

Continuous level measurement
Controllers

Ives Equipment
610-768-1600
www.ivesequipment.com

SITRANS LT500

Selection and ordering data

Article No.

Order code

SITRANS LT500

Continuous, non-contact, for liquids, slurries, and solids. Monitors level, volume, and volume flow, for virtually any application in a wide range of process industries.

➤ Click on the Article No. for the online configuration in the PIA Life Cycle Portal.

Product type

HydroRanger

MultiRanger

Feature set

Level, volume, and flow

Sensor input type

4 ... 20 mA input(s)

Number of measurement points

Single point version

Dual point version

Relay output

1 relay (1 Form A), 250 V AC

3 relays (2 Form A, 1 Form C), 250 V AC

6 relays (4 Form A, 2 Form C), 250 V AC

Mounting, enclosure design

Wall mount, standard enclosure

Wall mount, 4 entries, M20 cable glands included

Panel mount

Type of protection

Non Ex (general purpose) cCSA_{US}, FM, CE, RCM

Removable data storage

Included, (8 GB micro SD)

Input voltage

10 ... 30 V DC

100 ... 230 V AC

7ML60-	0	1	3	0	A	B	A	B	C	0	1	2	0	1	2	3
■	■	■	■	■	■	■	■	■	■	■	■	■	■	■	■	■

Further designs

Please add "-Z" to Article No. and specify Order code(s).

Stainless steel tag [13 x 45 mm (0.5 x 1.75 inch)]:
tag (device parameter, max. 32 characters)
plate stainless steel 304/1.4301

Certificates

Factory test certificate - M to DIN 55350, Part 18

Factory certificate 2.2 (EN 10204)

Communication

4 ... 20 mA, active output, with HART

Modbus RTU

PROFIBUS PA

PROFIBUS DP

ProfiNet

Specials

Special design

For customs, contact a local sales person.

For more information please visit

http://www.automation.siemens.com/aspa_app

Operating Instructions

All literature is available to download for free, in a range of languages, at

<http://www.siemens.com/processinstrumentation/documentation>

Optional equipment

Tag, stainless steel, 12 x 45 mm, one text line, (max. 16 characters)

Barriers in a NEMA 4X/IP65 enclosure

Barrier suitable for LR1xx & LU240 (STAHL: 9001/01-280-110-101)

Sunshield, 304 Stainless steel

SITRANS RD100, loop powered display - see Chapter 7

SITRANS RD150, remote digital display for 4 ... 20 mA and HART devices - see Chapter 7

SITRANS RD200, universal input display with Modbus conversion - see Chapter 7

SITRANS RD300, dual line display with totalizer and linearization curve and Modbus conversion - see Chapter 7

Spare parts

Replacement motherboard, single point, includes DC power module

Replacement motherboard, dual point, includes DC power module

Replacement motherboard, single point, includes AC power module

Replacement motherboard, dual point, includes AC power module

Replacement lid with 4 button HMI

Replacement lid with 4 button HMI panel mount version

Retrofit kit for wall mount to panel mount version

Replacement SD card

HART communications module

PROFIBUS PA communications module

Modbus RTU communications module

PROFIBUS DP communications module

ProfiNet communications module

Y15

C19

C14

F01

F04

F05

F06

F07

Y99

Article No.

7ML1930-1AC

A5E50255823

A5E50113513

7ML1930-1GA

7ML5741-.....-

7ML5742-.....-

7ML5740-.....-

7ML5744-.....-

A5E50113558

A5E50113557

A5E50113542

A5E50113543

A5E50113559

A5E50113560

A5E50114010

A5E50113554

A5E50113564

A5E50113568

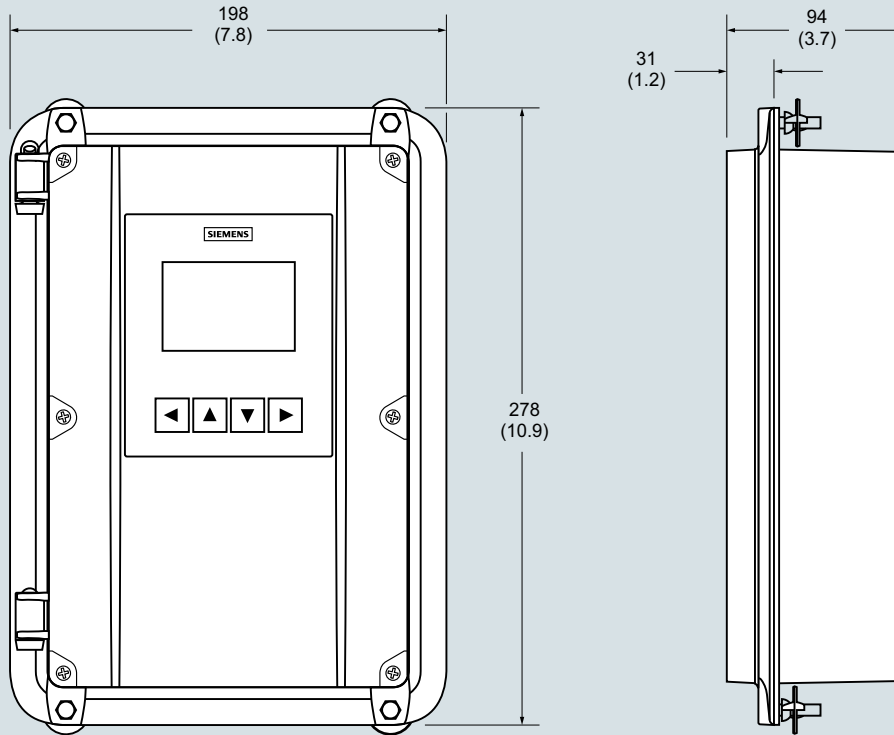
A5E50113565

A5E50113567

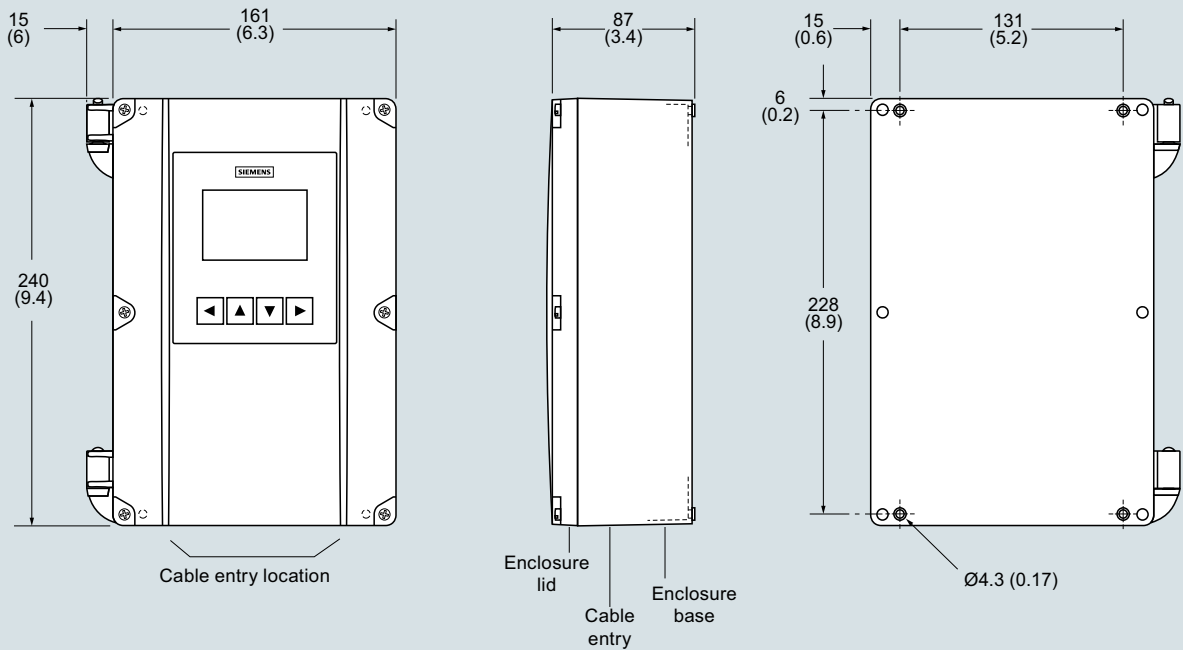
A5E50113569

Dimensional drawings

Panel mount dimensions



Wall mount dimensions



SITRANS LT500, dimensions in mm (inch)

Level Measurement

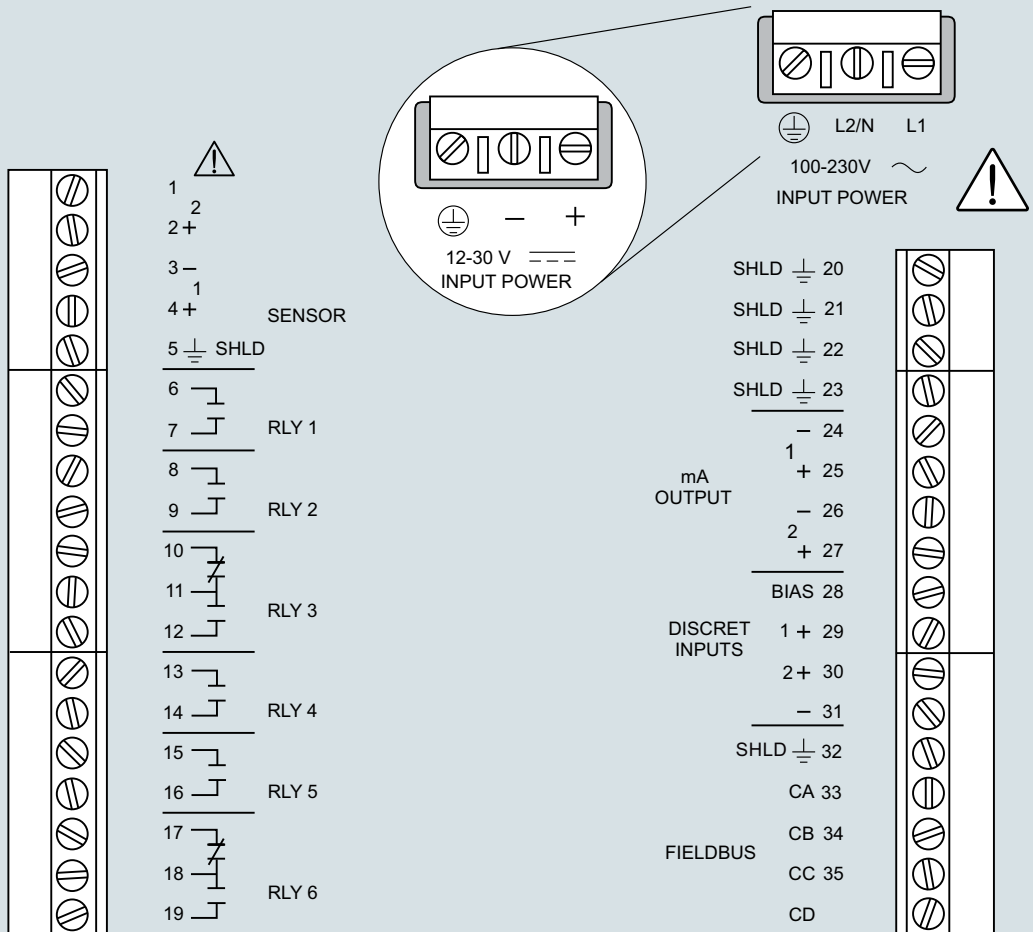
Continuous level measurement
Controllers

Ives Equipment
610-768-1600
www.ivesequipment.com

SITRANS LT500

Circuit diagrams

4



Relays shown in released state

Note:

1. Use 2-core copper wire, twisted, with shield, for expansion up to 365 m (1 200 ft). Route cable in grounded metal conduit, separate from other cables.
2. Verify that all system components are installed in accordance with instructions.
3. Connect all cable shields to the SITRANS LT500 shield connections. Avoid differential ground potentials by not connecting cable shields to ground (earth) anywhere else.
4. Keep exposed conductors on shielded cables as short as possible to reduce noise on the line caused by stray transmissions and noise pickup.

SITRANS LT500 connections